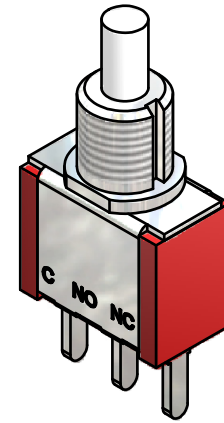
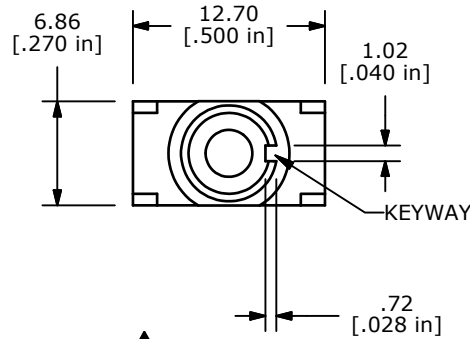
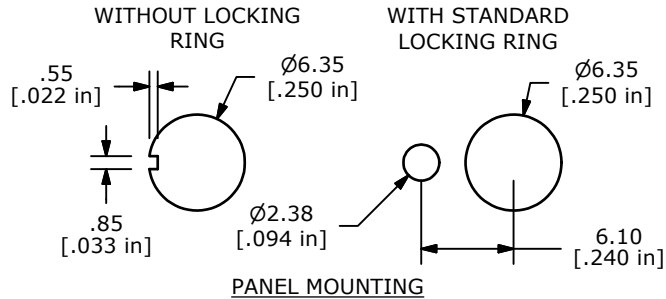
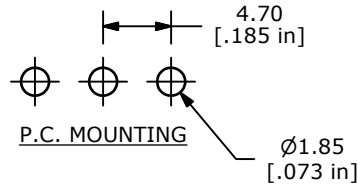
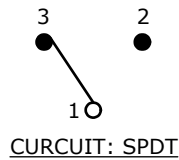


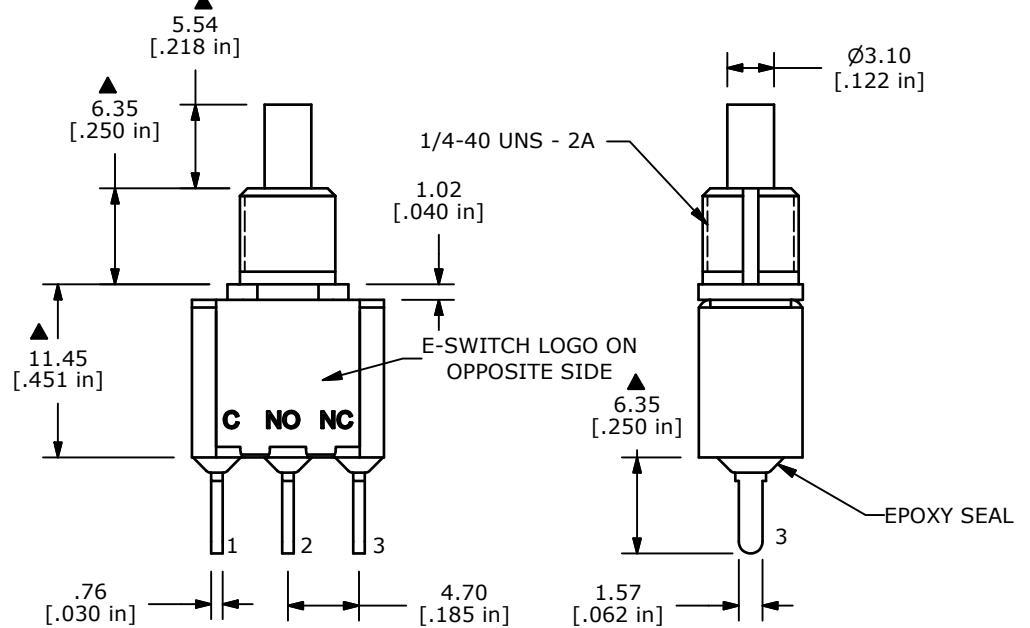
SWITCH FUNCTION	
POS. 1	POS. 2
ON	(ON)
1-3	1-2

(ON)=MOMENTARY



NOTE:

- ALL DIMENSIONS IN MM [INCH]
- GENERAL TOLERANCE: X.X=±0.4
X.XX=±0.25
- TERMINAL NUMBERS FOR REF ONLY
- PLATING MATERIAL: SILVER
- RATING: 1A @ 250VAC
3A @ 120 VAC OR VDC
- ELECTRIC LIFE: 50,000 MAKE-AND-BREAK CYCLES AT FULL LOAD
- INSULATION RESISTANCE: 1,000 MEGA-OHM MIN.
- ACUATION FORCE: 300 ± 100gf
- TRAVEL: 1.0 ± 0.2mm
- CONTACT RESISTANCE: 20 mOHM MAX.
TYPICAL @ 2-4 VDC
- DIELECTRIC STRENGTH: 1,000 V RMS @ SEA LEVEL.
- OPERATING TEMP.: -30°C to 85°C
- ▲ DENOTES CRITICAL PARAMETER.
- 2002/95/EC (ROHS) COMPLIANT.
- HARDWARE TO BE SHIPPED BULK
T100000 - HEXNUT - QTY 2
T100011 - LOCKWASHER - QTY 1
T100015 - LOCKRING - QTY 1



B	20032	DRAWING CLEAN-UP / UPDATE	6/27/11	BGL
A	17692	RELEASED FOR PRODUCTION	9/19/07	BF
REV	PCR NO	DESCRIPTION	DATE	BY

TITLE 700SP7B10M3QEH				
SCALE	DATE	DR	DWG	REV
2:1	9/19/2007	BF	ST711061	B

THE INFORMATION CONTAINED IN THIS DOCUMENT IS PROPRIETARY TO E-SWITCH AND IS NOT TO BE COPIED OR TRANSFERRED